



Add Searching Nodes and Variables function in TM Flow

Brief Description

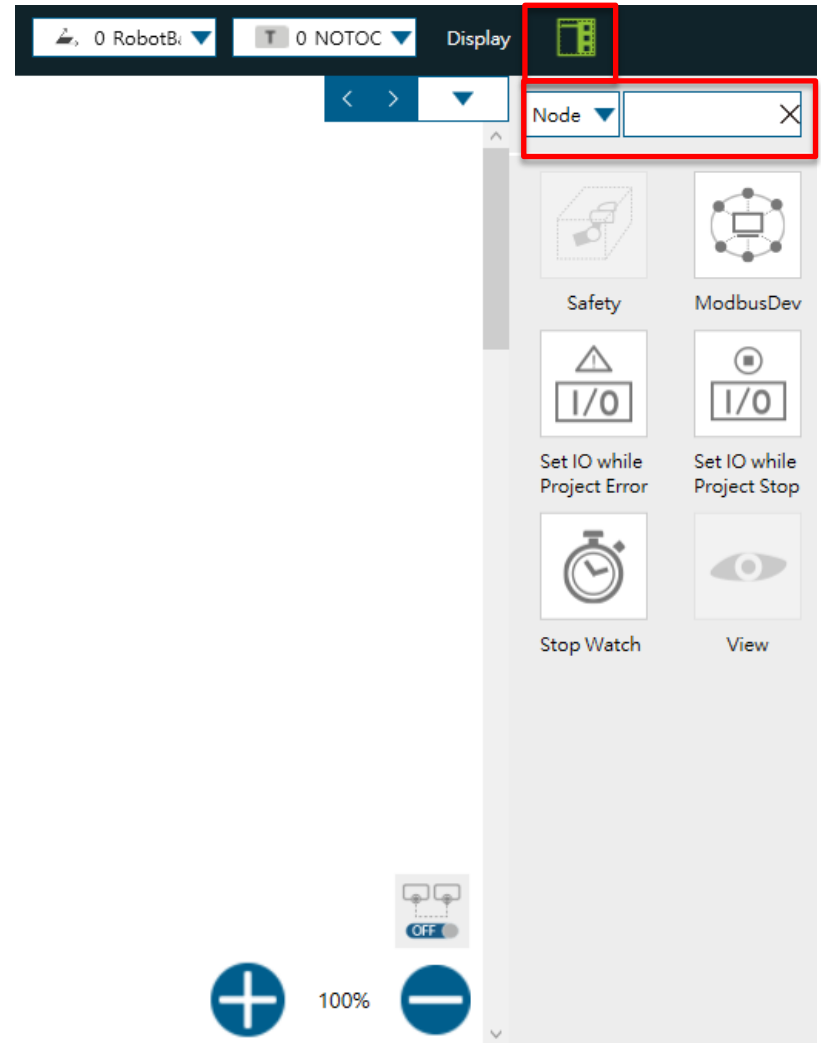
➤ Purpose

Make it more convenient for user to locate the identical Nodes or Variables in project with the Searching function when editing.

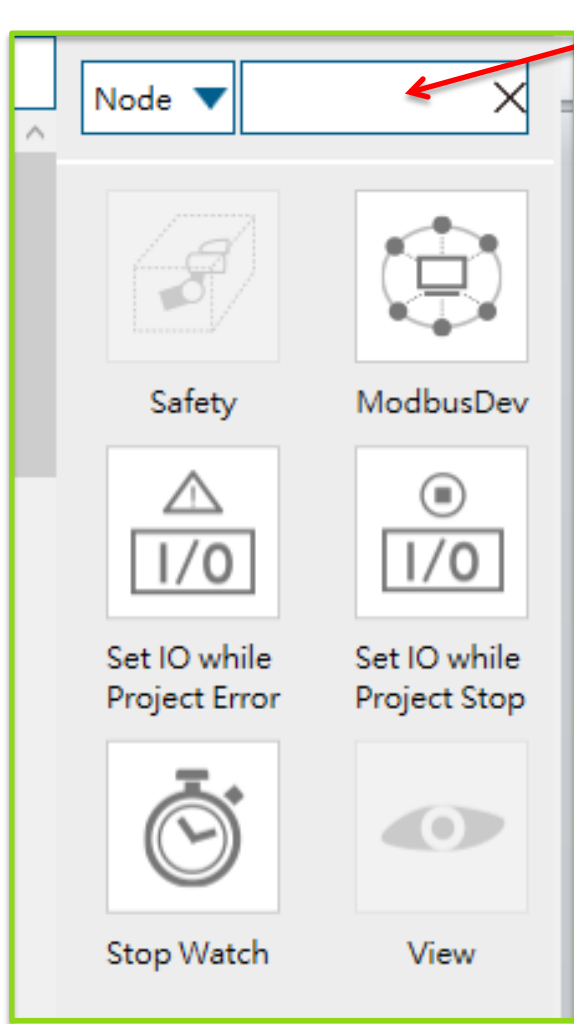
➤ Equipment

1. TM5

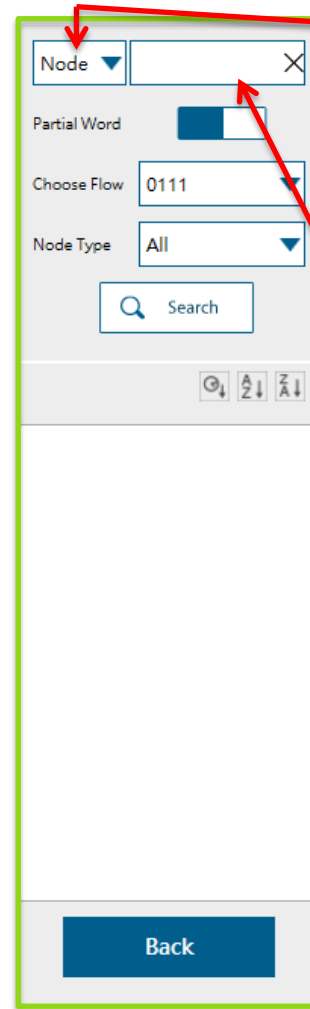
➤ Example demonstration



How to operate



Click here to operate the function.



User can choose to locate Nodes or Variables.

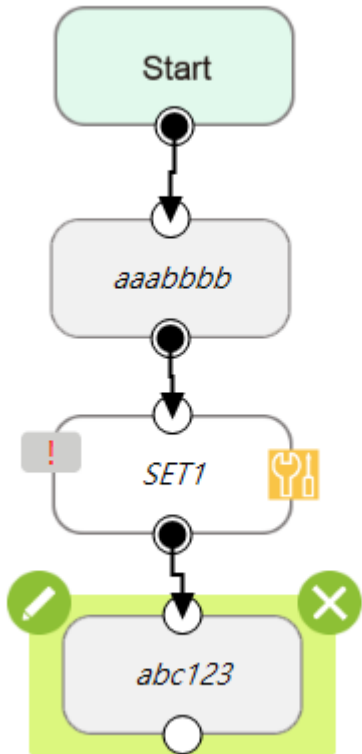
User can type the "keywords" of the Node/Var.

Partial Word:
Allow user to search with partial word.

Choose Flow:
The project that user want to locate with.

Node Type:
Point, Set, Vision, etc.

Example



Node ▾ ab

Partial Word

Choose Flow 0111

Node Type All

Search

Count: 1 match

abc123 , 0111

Searching keywords: ab.

Disable the func.

Enable the func.

Searching results

Node ▾ ab

Partial Word

Choose Flow 0111

Node Type All

Search

Count: 2 matches

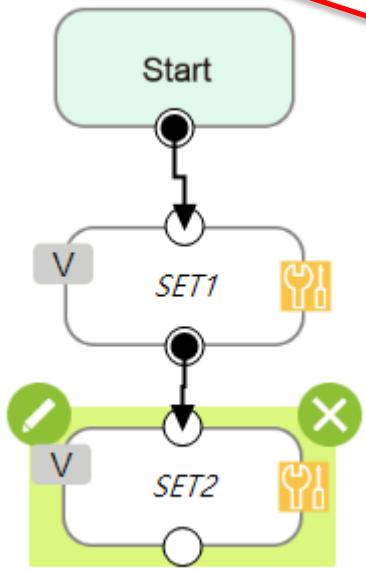
aaabbbb , 0111

abc123 , 0111

1.66 Enable to search variables

1 Select Nodes or variables to be located.

2 Select required variables



Var ▼ **var_asd** ▼

Partial Word

Choose Flow 12345 ▼

Node Type All ▼

Count: 1 match

3 SET1 , 12345
var_asd=0

Var ▼ **var_zxc** ▼

Partial Word

Choose Flow 12345 ▼

Node Type All ▼

Count: 1 match

SET2 , 12345
var_zxc=0

Searching results.

END